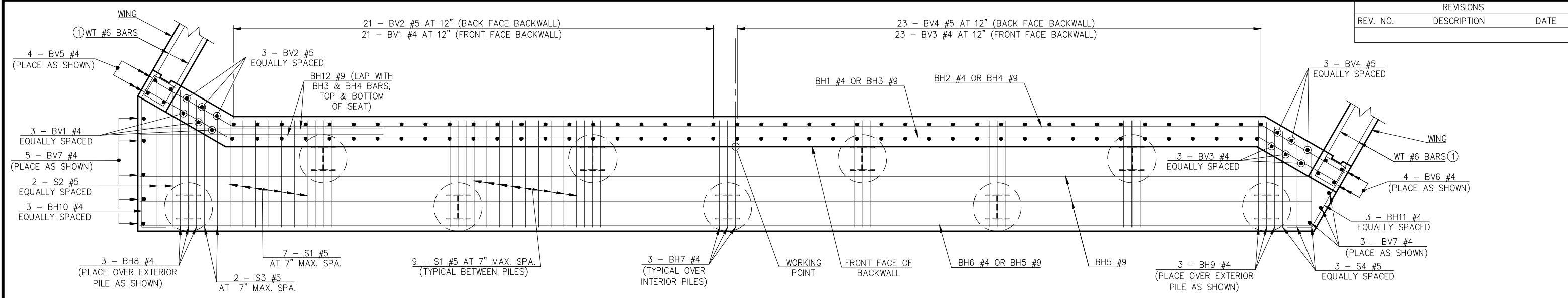
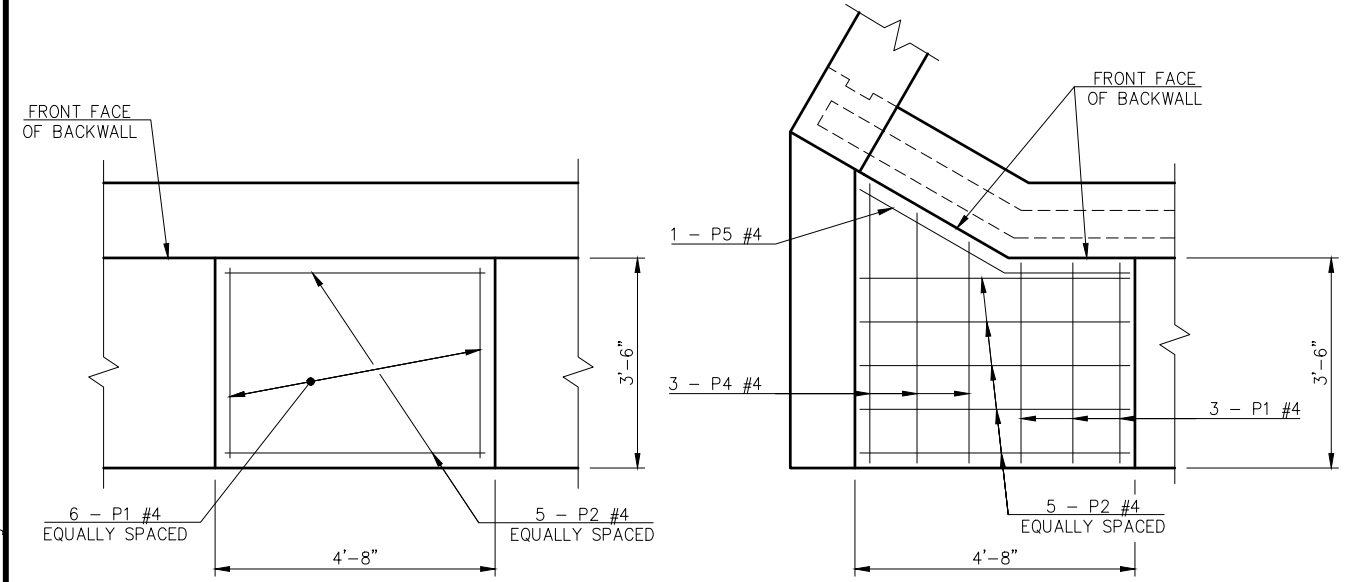


REVISIONS		
REV. NO.	DESCRIPTION	DATE

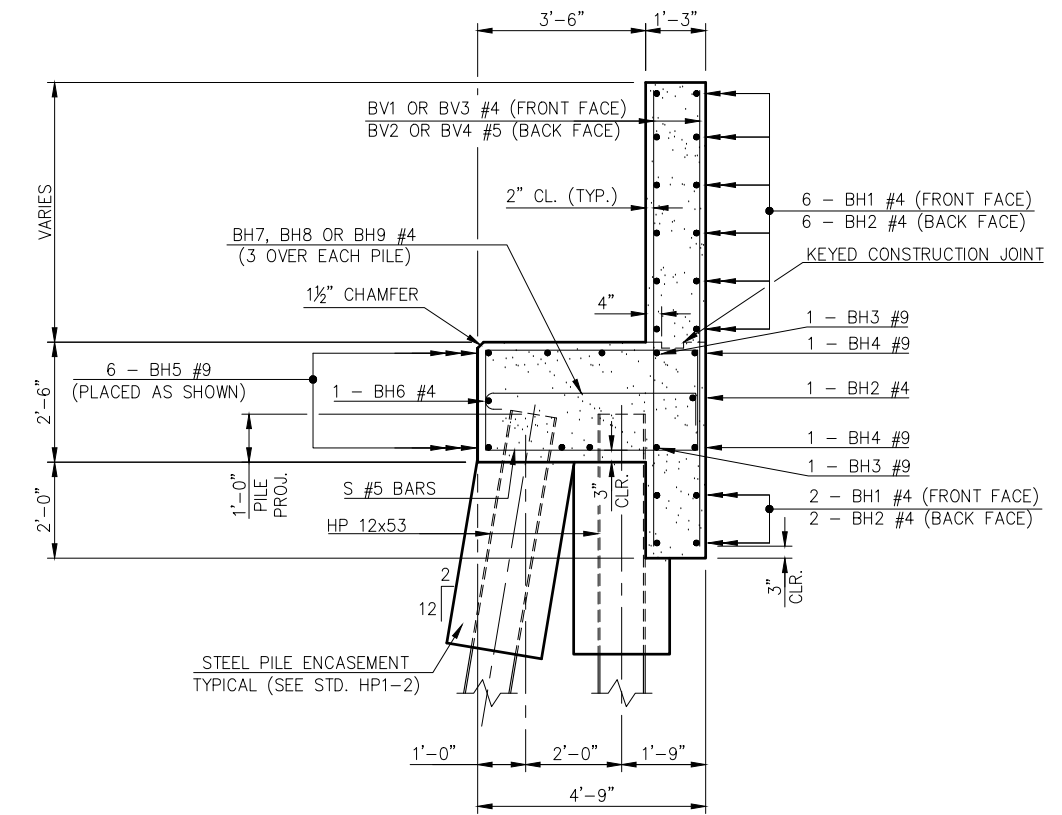


LAYOUT OF ABUTMENT REINFORCING STEEL

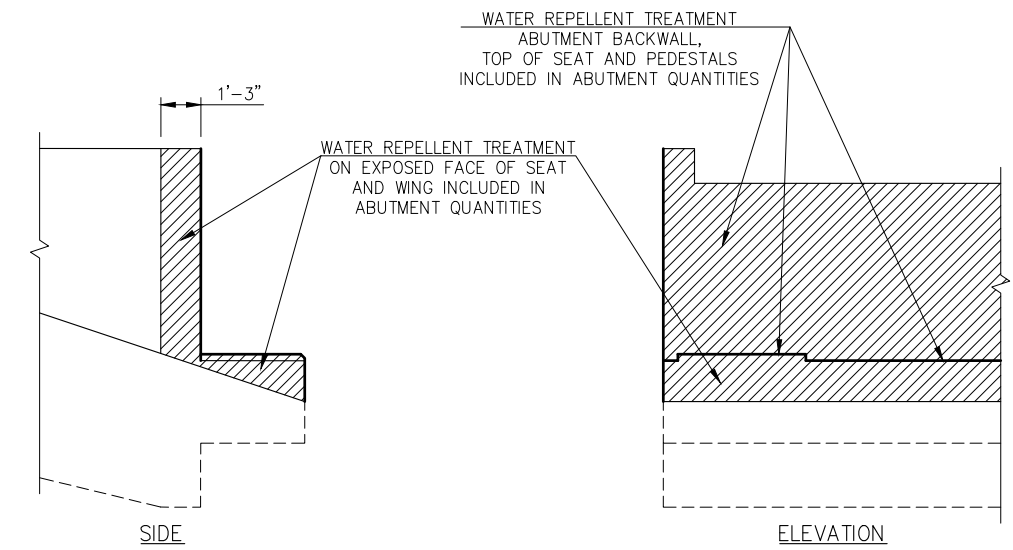
① SEE "DETAILS OF ABUTMENT NO. 1 (SHEET NO. 4 OF 4) FOR LOCATIONS OF WT BARS.



PEDESTAL REINFORCING LAYOUT



TYPICAL SECTION THRU SEAT



WATER REPELLENT TREATMENT DETAILS

DESIGN	MBS	5/14	SH-28 OVER SALT CREEK	NOWATA COUNTY
DETAIL	SLP	5/14	BRIDGE "A"	
CHECK	MBS	3/15		
GUY ENGINEERING SERVICES, INC.			STATE JOB PIECE NO. 28857(04)	SHEET NO. B013

DETAILS OF ABUTMENT NO. 2 (SHEET NO. 2 OF 4)

Monday, July 31, 2017 4:15:24 PM V:\12-716E SH-28 Salt Creek JP 28857\STRUCTURAL\DWG\Salt Creek - ABUTMENTS.dwg